

SWIMMING POOL PUMPS

SPP SERIES

REEFE® swimming pool pumps are designed for turning over your pool water quickly and efficiently and are suitable for use to operate your pool filters and cleaners.



APPLICATIONS

- Recycling and filtering of water from swimming pools

FEATURES & BENEFITS

- SAA electrical safety certified
- Robust construction to ensure long service life
- Quality viton seal to prevent leaks
- High flows for fast turnover of your pool water
- Inbuilt motor overload to ensure no motor burnout
- Commercial grade motor for continuous operation
- Convenient carry handle for ease of installation
- Easy access strainer basket for quick maintenance
- 12 month warranty when used in commercial applications
- Sized to retrofit other common brands

MOTOR

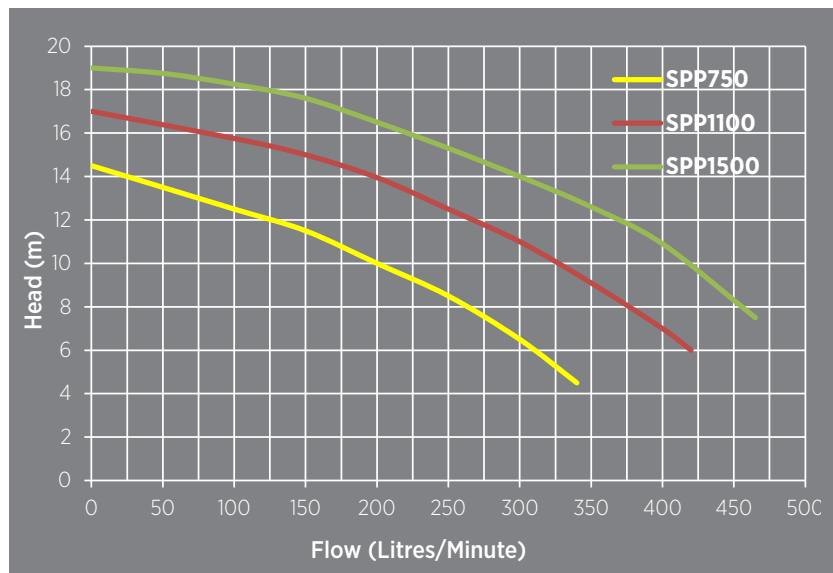
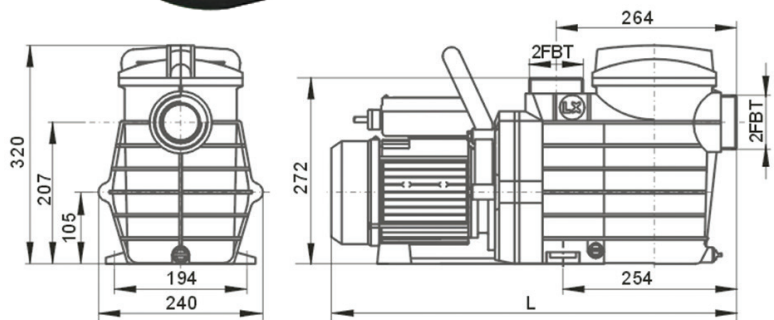
- 2-pole induction motor
- Built-in TI.USA thermal protection
- Insulation class F
- Protection IP55
- Continuously rated operation
- SAA Safety Certified

CONSTRUCTION

- Pump body in glass fibre and polypropylene
- Impeller and diffuser in noryl
- Shaft in stainless steel
- Mechanical seal graphite and ceramic / viton
- Motor housing in aluminium

OPERATING LIMITS

- Max. fluid temperature from +5°C ~ 50°C
- Max. ambient temperature up to <50°C
- Max. working pressure 3.0Bar
- Self-priming; 2.0m



CODE	MODEL	POWER 240V		MAXIMUM		CABLE LENGTH	INLET / OUTLET	WEIGHT (KG)
		HZ	KW	FLOW (L/MIN)	HEAD (m)			
16268	SPP750	50	0.75	340	14.5	1.5m	2" BSP / 2" BSP	13.5
16275	SPP1100	50	1.1	420	17	1.5m	2" BSP / 2" BSP	15.5
16282	SPP1500	50	1.5	465	19	1.5m	2" BSP / 2" BSP	17.5

*12 month warranty for all applications other than domestic residences